

BOILER TUBE EXPANDER

BHARTIYA

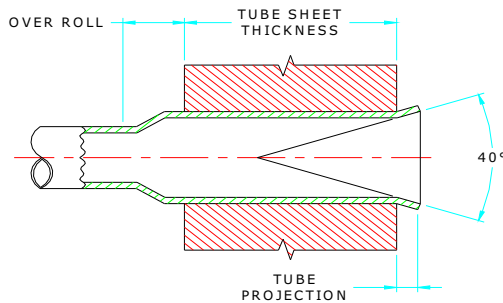
TUBE TOOLS

Tube O. D.
2"-4.1/2"

'B114' - 4 PLAIN ROLLERS & 2 FLARE ROLLERS

FEATURES:

- Overlapping rolls prevent ridging of tube.
- Can be converted for parallel expansion use enquire with us.
- Self retained rolls in cage.
- Use: General purpose expander for expanding and flaring boiler tubes, water wall, downcomer,



TUBE SIZE			TUBE SIZE			TUBE TOOL ENTERS		OF TOOL		TUBE SHEET THICKNESS RANGE				
O.D. inch	THK. GA.	THK. inch	O.D. inch	THK. GA.	THK. inch	Mm	Inch	Mm	Inch	1/2" TO 7/8"	3/4" TO 1. 1/8"	1. 1/8" TO 1. 5/8"	1. 5/8" TO 2. 1/8"	2. 1/8" TO 2. 5/8"
Tube Sheet Thickness Codes >>>										2	3	4	5	6
2	4 & 5	(.238 & .220)	1. 3/4	11 - 13	(.120 - .095)	36.1	(1.421)	43.1	(1.696)	-	B14172	B14174	B14176	B14178
2	6 & 7	(.203 & .180)	1. 3/4	14 - 16	(.480 - .065)	37.6	(1.480)	44.6	(1.755)	-	B14182	B14184	B14186	B14188
2	7 & 8	(.180 & .165)	1.3/4	15 & 16	(.072 & .065)	39.2	(1.543)	46.4	(1.826)	B14191	B14192	B14194	B14196	B14198
2	9 & 10	(.148 & .134)	2. 1/4	3	(.259)	40.8	(1.606)	48.0	(1.889)	B14201	B14202	B14204	B14206	B14208
2	11 - 13	(.120 - .095)	2. 1/4	4 & 5	(.238 & .220)	42.4	(1.669)	49.6	(1.952)	B14211	B14212	B14214	B14216	B14218
2. 1/2	2	(.284)	2. 1/4	6 - 8	(.203 - .165)	45.2	(1.779)	52.6	(2.070)	-	B14222	B14224	B14226	B14228
2. 1/2	3 & 4	(.259 & .238)	2. 1/4	9 - 11	(.148 - .120)	46.8	(1.842)	54.2	(2.133)	-	B14232	B14234	B14236	B14238
2. 1/2	4 - 6	(.238 - .203)	2. 1/4	12 - 15	(.109 - .072)	48.4	(1.905)	57.3	(2.255)	-	B14242	B14244	B14246	B14248
2. 1/2	7 - 10	(.180 - .134)	2. 3/4	2 & 3	(.284 & .259)	51.5	(2.027)	60.5	(2.381)	-	B14252	B14254	B14256	B14258
2. 1/2	11 - 13	(.120 - .095)	2. 3/4	4 & 5	(.238 & .220)	54.7	(2.153)	63.7	(2.507)	B14261	B14262	B14264	B14266	B14268
3	1 - 3	(.300 - .259)	2. 3/4	6 - 10	(.203 - .134)	57.1	(2.248)	66.6	(2.622)	-	B14272	B14274	B14276	B14278
3	4 - 6	(.238 - .203)	2. 3/4	11 - 15	(.120 - .072)	60.3	(2.374)	70.0	(2.755)	-	B14282	B14284	B14286	B14288
3	7 - 11	(.180 - .120)	3. 1/4	1 - 4	(.300 - .238)	63.5	(2.500)	73.9	(2.909)	-	B14292	B14294	B14296	B14298
3	10 - 12	(.134 - .109)	3. 1/4	4 - 7	(.238 - .180)	66.6	(2.622)	77.3	(3.043)	B14301	B14302	B14304	B14306	B14308
3. 1/2	1 - 4	(.300 - .238)	3. 1/4	7 - 11	(.180 - .120)	69.8	(2.748)	80.1	(3.153)	-	B14312	B14314	B14316	B14318
3. 1/2	4 - 7	(.238 - .180)	3. 1/4	10 - 15	(.134 - .072)	73.0	(2.874)	83.4	(3.283)	-	B14322	B14324	B14326	B14328
3. 1/2	7 - 11	(.180 - .120)	3. 3/4	2 & 3	(.284 & .259)	76.2	(3.000)	86.8	(3.417)	-	B14332	B14334	B14336	B14338
3. 1/2	10 - 12	(.134 - .109)	3. 3/4	4 & 5	(.238 & .220)	79.3	(3.122)	89.8	(3.535)	-	B14342	B14344	B14346	B14348
4	1 - 4	(.300 - .238)	3. 3/4	6 - 10	(.203 - .134)	82.5	(3.248)	93.0	(3.661)	-	B14352	B14354	B14356	B14358
4	4 - 7	(.238 - .180)	3. 3/4	11 - 15	(.120 - .072)	85.7	(3.374)	96.0	(3.779)	-	B14362	B14364	B14366	B14368
4	7 - 11	(.180 - .120)	4. 1/4	2 & 3	(.284 & .259)	88.9	(3.500)	98.6	(3.881)	-	B14372	B14374	B14376	B14378
4	8 - 12	(.165 - .109)	4. 1/4	3 & 5	(.259 & .220)	90.5	(3.562)	102.3	(4.027)	-	B14382	B14384	B14386	B14388
4. 1/2	1 - 4	(.300 - .238)	4. 1/4	6 - 9	(.203 - .148)	95.2	(3.748)	104.7	(4.122)	-	B14392	B14394	B14396	B14398
4. 1/2	3 - 8	(.238 - .165)	4. 1/4	10 - 13	(.134 - .095)	98.4	(3.874)	110.3	(4.342)	-	B14402	B14404	B14406	B14408
4. 1/2	6 - 12	(.203 - .109)				101.6	(4.000)	113.5	(4.468)	-	B14412	B14414	B14416	B14418

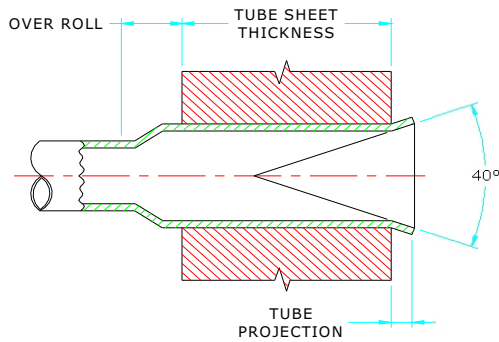
BOILER TUBE EXPANDER

BHARTIYA

TUBE TOOLS

Tube O. D.
2"-4.1/2"

'B114' - 4 PLAIN ROLLERS & 2 FLARE ROLLERS



SPARE ROLLERS SET MODEL NUMBER					SPARE MANDREL MODEL NUMBER							
TUBE SHEET THICKNESS RANGE					MANDREL SIZE inch	DRUM TYPE	HEADER TYPE	SHORT SERIES		SHORT SERIES 7. 1/8 inch		
1/2" TO 7/8"	3/4" TO 1. 1/8"	1. 1/8" TO 1. 5/8"	1. 5/8" TO 2. 1/8"	2. 1/8" TO 2. 5/8"				5. 1/8 inch				
2	3	4	5	6	<<< Tube Sheet Thickness Codes							
-	B34872	B34874	B34878	B34948	3/4	B32269	B32289	B32308	B32309	B32310	B32311	-
-	B34879	B34881	B34883	B34949	3/4	B32269	B32289	B32309	B32310	B32311	-	-
B34878	B34879	B34881	B34883	B34949	3/4	B32270	B32290	B32309	B32310	B32311	B32312	-
B34878	B34879	B34881	B34883	B34949	3/4	B32271	B32291	B32311	B32312	B32313	-	B32346
B34885	B34886	B34888	B34890	B34950	3/4	B32270	B32290	B32310	B32311	B32312	-	B32345
-	B34893	B34895	B34897	B34951	3/4	B32270	B32290	B32310	B32311	B32312	B32313	-
-	B34893	B34895	B34897	B34951	3/4	B32271	B32291	B32311	B32312	B32313	B32314	-
-	B34893	B34895	B34897	B34951	3/4	B32272	B32292	B32312	B32313	B21214	B32315	-
-	B34900	B34902	B34904	B34952	3/4	B32272	B32292	B32312	B32313	B32314	B32315	B32347
B34899	B34900	B34902	B34904	B34952	3/4	B32273	B32293	B32315	B32316	B32317	-	B33630
-	B34907	B34909	B34911	B34953	3/4	B32273	B32293	B32315	B32316	B32317	B32318	B33631
-	B34907	B34909	B34911	B34953	1	B32274	B32294	32317	32318	32319	32320	32321
-	B34914	B34916	B34918	B34954	1	B32274	B32294	B32318	B32319	B32320	B32321	33632
B34913	B34914	B34916	B34918	B34954	1	B32275	B32295	B32320	B32321	B32322	-	33633
-	B34921	B34923	B34925	B34955	1	B32274	B32294	B32318	B32319	B32320	B32321	33634
-	B34921	B34923	B34925	B34955	1	B32275	B32295	B32321	B32322	B32323	B32324	33635
-	B34921	B34923	B34925	B34955	1	B32276	B32296	B32323	B32324	B32325	B32326	B33635
-	B34921	B34923	B34925	B34955	1	B32277	B32297	B32324	B32325	B32326	B32327	-
-	B34921	B34923	B34925	B34955	1	B32277	B32297	B32323	B32324	B32325	B32326	-
-	B34921	B34923	B34925	B34955	1	B32277	B32297	B32324	B32325	B32326	B32327	-
-	B34921	B34923	B34925	B34955	1	B32278	B32298	B32326	B32327	B32328	B32329	-
-	B34921	B34923	B34925	B34955	1	B32278	B32298	B32328	B32329	B32330	B32331	-
-	B34928	B34930	B34932	B34956	1	B32276	B32296	B32324	B32325	B32326	B32327	-
-	B34928	B34930	B34932	B34956	1	B32277	B32297	B32326	B32327	B32328	B32329	-
-	B34928	B34930	B34932	B34956	1	B32278	B32298	B32328	B32329	B32330	B32331	-
-	B34935	B34937	B34939	B34957	1	B32277	B32297	B32324	B32325	B32326	B32327	-
-	B34935	B34937	B34939	B34957	1	B32278	B32298	B32329	B32330	B32331	B32332	-
-	B34935	B34937	B34939	B34957	1	B32279	B32299	B32324	B32325	B32326	B32327	-
-	B34942	B34944	B34946	B34958	1	B32278	B32298	B32326	B32327	B32328	B32329	-