

BOILER TUBE EXPANDER



TUBE TOOLS

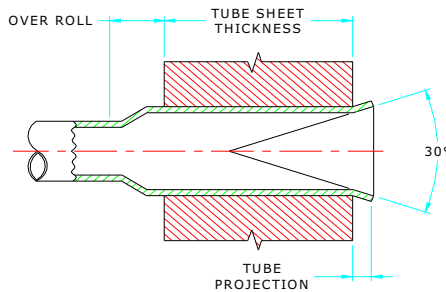
Tube O. D.
1" - 4.1/2"

'B-2000' SERIES WITH COLLAR

3 PLAIN & 3 FLARE ROLLER TUBE EXPANDER WITH THRUST BEARING

FEATURES:

- Use - Spring loaded drift thrust assembly used to position the expander accurately on the boiler tube in relation to the drum for consistent expansions.



TUBE SIZE			TUBE SIZE			MIN. I.D. TUBE TOOL ENTERS	MAX. EXPANSION OF TOOLS	TUBE EXPANDER MODEL NUMBER						
O.D. inch	THK. GA.	THK. inch	O.D. inch	THK. GA.	THK. inch			TUBE SHEET THICKNESS RANGE						
						Mm	Inch	Mm	Inch	1/2" TO 3/4"	7/8" TO 1. 1/4"	1.3/8" TO 1.3/4"	1. 7/8" TO 2. 1/4"	2. 3/8" TO 2. 3/4"
Tube Sheet Thickness Codes >>>										3	5	7	9	11
1	13&14	(.095 &.083)	1.1/8	9	(.148)	18.7	(.736)	23.4	(.921)	BP2079/3	BP2079/5			
1	15&16	(.072 &.065)	1.1/8	10	(.134)	19.7	(.775)	24.4	(.961)	BP2083/3	BP2083/5			
1.1/4	7	(.180)	1.1/8	11&12	(.120 &.109)	20.7	(.814)	25.5	(1.004)	BP2087/3	BP2087/5			
1.1/4	8&9	(.165 &.148)	1.1/8	13&14	(.095 &.083)	21.7	(.854)	26.5	(1.043)	BP2091/3	BP2091/5			
1.1/4	10	(.134)	1.1/8	15&16	(.072 &.065)	22.7	(.893)	28.1	(1.105)	BP2095/3	BP2095/5			
1.1/4	11-13	(.120 -.095)	1.3/8	8	(.165)	23.7	(.933)	29.0	(1.142)	BP2099/3	BP2099/5			
1.1/4	14&15	(.083 &.072)	1.3/8	9	(.148)	24.7	(.972)	30.0	(1.181)	BP2103/3	BP2103/5			
1.1/4	16	(.065)	1.3/8	10	(.134)	26.8	(1.055)	33.0	(1.299)	BP2111/3	BP2111/5			
1.1/2	10-12	(.134 -.109)	1.3/8	15&16	(.072 &.065)	29.7	(1.169)	35.0	(1.378)	BP2118/3	BP2118/5			
1.1/2	13-16	(.095 -.065)	1.3/4	6&7	(.203 &.180)	31.7	(1.248)	38.0	(1.496)	BP2126/3	BP2126/5			
2	3	(.259)	1.3/4	8&9	(.165 &.148)	33.7	(1.326)	40.0	(1.575)	BP2134/3	BP2134/5	BP2134/7	BP2134/9	BP2134/11
2	4&5	(.238 &.220)	1.3/4	10-12	(.134 -.109)	35.7	(1.405)	42.5	(1.673)	BP2142/3	BP2142/5	BP2142/7	BP2142/9	BP2142/11
2	6	(.203)	1.3/4	13-16	(.095 -.065)	37.7	(1.484)	44.5	(1.752)	BP2150/3	BP2150/5	BP2150/7	BP2150/9	BP2150/11
2	7-9	(.180 -.148)	2.1/4	3	(.259)	39.7	(1.562)	47.0	(1.850)	BP2158/3	BP2158/5	BP2158/7	BP2158/9	BP2158/11
2	10-12	(.134 -.109)	2.1/4	4	(.238)	41.7	(1.641)	49.0	(1.929)	BP2166/3	BP2166/5	BP2166/7	BP2166/9	BP2166/11
2	13-15	(.095 -.072)	2.1/4	5&6	(.220 &.203)	43.7	(1.720)	51.5	(2.027)	BP2174/3	BP2174/5	BP2174/7	BP2174/9	BP2174/11
2	16	(.065)	2.1/4	7-9	(.180 -.148)	45.7	(1.799)	54.0	(2.126)	BP2181/3	BP2181/5	BP2181/7	BP2181/9	BP2181/11
2.1/2	4&5	(.238 &.220)	2.1/4	10-13	(.134 -.095)	47.7	(1.877)	56.0	(2.205)	BP2189/3	BP2189/5	BP2189/7	BP2189/9	BP2189/11
2.1/2	6	(.203)	2.1/4	14-16	(.083 -.065)	49.7	(1.956)	60.0	(2.362)	BP2197/3	BP2197/5	BP2197/7	BP2197/9	BP2197/11
2.1/2	7-10	(.180 -.134)	2.3/4	2&3	(.284 &.259)	51.7	(2.035)	62.0	(2.441)	BP2205/3	BP2205/5	BP2205/7	BP2205/9	BP2205/11
2.1/2	11-13	(.120 -.095)	2.3/4	4&5	(.238 &.220)	53.7	(2.114)	64.0	(2.520)	BP2213/3	BP2213/5	BP2213/7	BP2213/9	BP2213/11
2.1/2	14-16	(.083 -.065)	2.3/4	6-8	(.203 -.165)	55.7	(2.192)	66.0	(2.598)	BP2221/3	BP2221/5	BP2221/7	BP2221/9	BP2221/11

BOILER TUBE EXPANDER

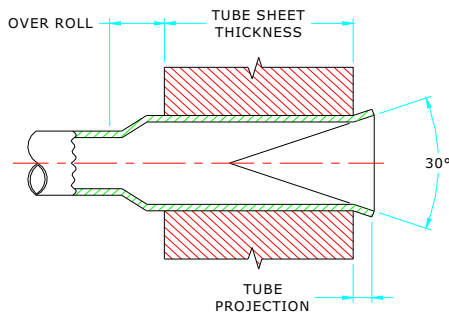


TUBE TOOLS

Tube O. D.
1" - 4.1/2"

'B-2000' SERIES WITH COLLAR

3 PLAIN & 3 FLARE ROLLER TUBE EXPANDER WITH THRUST BEARING



SPARE ROLLERS SET MODEL NUMBER					SPARE MANDREL MODEL NUMBER		
TUBE SHEET THICKNESS RANGE					MANDREL SIZE inch	DRUM TYPE	SHORT SERIES MANDRELS
1/2" TO 3/4"	7/8" TO 1. 1/4"	1. 3/8" TO 1. 3/4"	1. 7/8" TO 2. 1/4"	2. 3/8" TO 2. 3/4"			
3	5	7	9	11	<<< Tube Sheet Thickness Codes		
B079-3-FS B083-3-FS B087-3-FS	B079-5-FS B083-5-FS B087-5-FS				1/2 1/2 1/2	B83-M B83-M B91-M	
B095-3-FS B095-3-FS B099-3-FS	B095-5-FS B095-5-FS B099-5-FS				1/2 1/2 1/2	B91-M B99-M B99-M	
B103-3-FS B111-3-FS B118-3-FS	B103-5-FS B111-5-FS B118-5-FS				1/2 3/4 3/4	B99-M B118-M B118M	BMS-1,2,3 BMS-1,2,3
B126-3-FS B126-3-FS B142-3-FS	B126-5-FS B126-5-FS B142-5-FS	B126-7-FS B142-7-FS	B126-9-FS B142-9-FS	B126-11-FS B142-11-FS	3/4 3/4 3/4	B126-M B134-M B150-M	BMS-2,3,4 BMS-3,4,5 BMS-3,4,5,6
B150-3-FS B158-3-FS B166-3-FS	B150-5-FS B158-5-FS B166-5-FS	B150-7-FS B158-7-FS B166-7-FS	B150-9-FS B158-9-FS B166-9-FS	B150-11-FS B158-11-FS B166-11-FS	3/4 3/4 3/4	B150-M B174-M B174-M	BMS-3,4,5,6 BMS-4,5,6,7,8 BMS-4,5,6,7,8
B174-3-FS B181-3-FS B174-3-FS	B174-5-FS B181-5-FS B174-5-FS	B174-7-FS B181-7-FS 1B74-7-FS	B174-9-FS B181-9-FS B174-9-FS	B174-11-FS B181-11-FS B174-11-FS	3/4 1 1	B174-M B197-M B197-M	BMS-4,5,6,7,8 BMS-7,8,9,10,11 BMS-7,8,9,10,11
B205-3-FS B205-3-FS	B205-5-FS B205-5-FS	B205-7-FS B205-7-FS	B205-9-FS B205-9-FS	B205-11-FS B205-11-FS	1 1	B197-M B221-M	BMS-6,7,8,9,10,11 BMS-7,8,9,10,11,12
B213-3-FS B221-3-FS	B213-5-FS B221-5-FS	B213-7-FS B221-7-FS	B213-9-FS B221-9-FS	B213-11-FS B221-11-FS	1 1	B221-M B221-M	BMS-7,8,9,10,11,12 BMS-7,8,9,10,11,12

BOILER TUBE EXPANDER

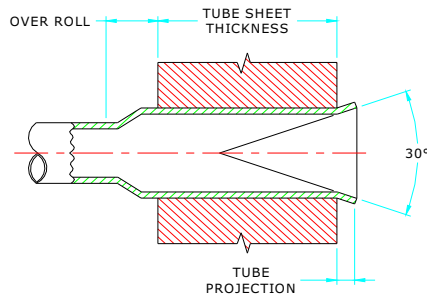


TUBE TOOLS

Tube O. D.
1" - 4.1/2"

'B-2000' SERIES WITH COLLAR

3 PLAIN & 3 FLARE ROLLER TUBE EXPANDER WITH THRUST BEARING



TUBE SIZE			TUBE SIZE			MIN. I.D. TUBE TOOL ENTERS		MAX. EXPANSION OF TOOLS		TUBE EXPANDER MODEL NUMBER				
O.D. inch	THK. GA.	THK. inch	O.D. inch	THK. GA.	THK. inch	Mm	Inch	Mm	Inch	TUBE SHEET THICKNESS RANGE				
										1/2" TO 3/4"	7/8" TO 1. 1/4"	1.3/8" TO 1.3/4"	1. 7/8" TO 2. 1/4"	2. 3/8" TO 2. 3/4"
Tube Sheet Thickness Codes >>>										3	5	7	9	11
3	2	(.284)	2.3/4	7-9	(.180 -.148)	57.7	(2.271)	68.0	(2.677)	BP2229/3	BP2229/5	BP2229/7	BP2229/9	BP2229/11
3	3&4	(.259 &.238)	2.3/4	10-12	(.134 -.109)	59.7	(2.350)	70.0	(2.756)	BP2237/3	BP2237/5	BP2237/7	BP2237/9	BP2237/11
3	5&6	(.220 &.203)	2.3/4	13-16	(.095 -.065)	61.7	(2.429)	72.0	(2.835)	BP2244/3	BP2244/5	BP2244/7	BP2244/9	BP2244/11
3	7&8	(.180 &.165)	3.1/4	3	(.259)	63.7	(2.507)	74.0	(2.913)	BP2252/3	BP2252/5	BP2252/7	BP2252/9	BP2252/11
3	10-12	(.134 -.109)	3.1/4	4	(.259)	65.7	(2.586)	76.0	(2.992)	BP2260/3	BP2260/5	BP2260/7	BP2260/9	BP2260/11
3	13&14	(.095 &.083)	3.1/4			67.7	(2.665)	78.0	(3.071)	BP2268/3	BP2268/5	BP2268/7	BP2268/9	BP2268/11
3	15&16	(.072 &.065)	3.1/4	5&6	(.220 &.203)	69.7	(2.744)	80.0	(3.150)	BP2276/3	BP2276/5	BP2276/7	BP2276/9	BP2276/11
3.1/2	2&3	(.284 &.259)	3.1/4	7-11	(.180 -.120)	71.7	(2.822)	82.0	(3.228)	BP2284/3	BP2284/5	BP2284/7	BP2284/9	BP2284/11
3.1/2	4-6	(.259 -.203)	3.1/4	12-14	(.109 -.480)	73.7	(2.901)	84.0	(3.307)	BP2292/3	BP2292/5	BP2292/7	BP2292/9	BP2292/11
3.1/2	7-9	(.180 -.148)	3.1/4	15&16	(.072 &.065)	75.7	(2.980)	86.0	(3.386)	BP2300/3	BP2300/5	BP2300/7	BP2300/9	BP2300/11
3.1/2	10-12	(.134 -.109)	3.3/4	2&3	(.284 &.259)	77.7	(3.059)	88.0	(3.465)	BP2308/3	BP2308/5	BP2308/7	BP2308/9	BP2308/11
3.1/2	13-15	(.095 -.072)	3.3/4	4-6	(.259 -.203)	79.7	(3.137)	92.0	(3.622)	BP2315/3	BP2315/5	BP2315/7	BP2315/9	BP2315/11
3.1/2	16	(.065)	3.3/4	7&8	(.180 &.165)	81.7	(3.216)	94.0	(3.701)	BP2323/3	BP2323/5	BP2323/7	BP2323/9	BP2323/11
4	3	(.259)	3.3/4	9-12	(.148 -.109)	83.7	(3.295)	96.0	(3.780)	BP2331/3	BP2331/5	BP2331/7	BP2331/9	BP2331/11
4	4-6	(.259 -.203)	3.3/4	13-16	(.095 -.065)	85.7	(3.374)	98.0	(3.858)	BP2339/3	BP2339/5	BP2339/7	BP2339/9	BP2339/11
4	7&8	(.180 &.165)	4.1/4	2	(.284)	87.7	(3.452)	100.0	(3.937)	BP2347/3	BP2347/5	BP2347/7	BP2347/9	BP2347/11
4	9-12	(.148 -.109)	4.1/4	3	(.259)	89.7	(3.531)	102.0	(4.016)	BP2355/3	BP2355/5	BP2355/7	BP2355/9	BP2355/11
4	13-15	(.095 -.072)	4.1/4	4	(.259)	91.7	(3.610)	104.0	(4.094)	BP2363/3	BP2363/5	BP2363/7	BP2363/9	BP2363/11
4	16	(.065)	4.1/4	7&8	(.180 &.165)	93.7	(3.688)	106.0	(4.173)	BP2370/3	BP2370/5	BP2370/7	BP2370/9	BP2370/11
4.1/2	3	(.259)	4.1/4	9-11	(.148 -.120)	95.7	(3.767)	108.0	(4.252)	BP2378/3	BP2378/5	BP2378/7	BP2378/9	BP2378/11
4.1/2	4-6	(.259 -.203)	4.1/4	12-16	(.109 -.065)	97.7	(3.846)	110.0	(4.331)	BP2386/3	BP2386/5	BP2386/7	BP2386/9	BP2386/11
4.1/2	7-14	(.180 -.083)	4.1/4			99.7	(3.925)	111.0	(4.407)	BP2394/3	BP2394/5	BP2394/7	BP2394/9	BP2394/11

BOILER TUBE EXPANDER

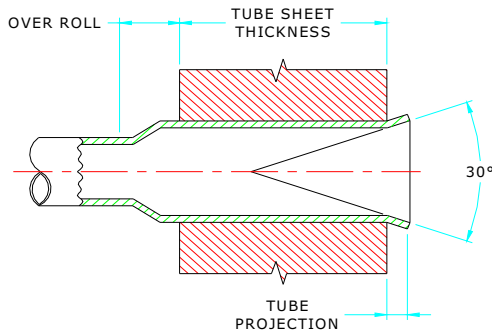


TUBE TOOLS

Tube O. D.
1" - 4.1/2"

'B-2000' SERIES WITH COLLAR

3 PLAIN & 3 FLARE ROLLER TUBE EXPANDER WITH THRUST BEARING



SPARE ROLLERS SET MODEL NUMBER					SPARE MANDREL MODEL NUMBER		
TUBE SHEET THICKNESS RANGE					MANDREL SIZE inch	DRUM TYPE	SHORT SERIES MANDRELS
1/2" TO 3/4"	7/8" TO 1. 1/4"	1. 3/8" TO 1. 3/4"	1. 7/8" TO 2. 1/4"	2. 3/8" TO 2. 3/4"			
3	5	7	9	11	<<< Tube Sheet Thickness Codes		
B221-3-FS B237-3-FS B252-3-FS	B221-5-FS B237-5-FS B252-5-FS	B221-7-FS B237-7-FS B252-7-FS	B221-9-FS B237-9-FS B252-9-FS	B221-11-FS B237-11-FS B252-11-FS	1 1 1	B/244-M B244-M B244-M	BMS-8,9,10,11,12,13 BMS-8,9,10,11,12,13 BMS-8,9,10,11,12,13
B252-3-FS B260-3-FS B268-3-FS	B252-5-FS B260-5-FS B268-5-FS	B252-7-FS B260-7-FS B268-7-FS	B252-9-FS B260-9-FS B268-9-FS	B252-11-FS B260-11-FS B268-11-FS	1 1 1	B268-M B268-M B268-M	BMS-10,11,12,13,14 BMS-10,11,12,13,14 BMS-10,11,12,13,14
B276-3-FS B284-3-FS B292-3-FS	B276-5-FS B284-5-FS B292-5-FS	B276-7-FS B284-7-FS B292-7-FS	B276-9-FS B284-9-FS B292-9-FS	B276-11-FS B284-11-FS B292-11-FS	1 1 1	B300-M B300-M B300-M	BMS-12,13,14,15,16 BMS-12,13,14,15,16 BMS-12,13,14,15,16
B315-3-FS B284-3-FS B315-3-FS	B315-5-FS B284-5-FS B315-5-FS	B315-7-FS B284-7-FS B315-7-FS	B315-9-FS B284-9-FS B315-9-FS	B315-11-FS B284-11-FS B315-11-FS	1 1 1	B300-M B347-M B347-M	BMS-12,13,14,15,16 BMS-15,16,17,18,19 BMS-14,15,16,17,18,19
B323-3-FS B331-3-FS B355-3-FS	B323-5-FS B331-5-FS B355-5-FS	B323-7-FS B331-7-FS B355-7-FS	B323-9-FS B331-9-FS B355-9-FS	B323-11-FS B331-11-FS B355-11-FS	1 1 1	B347-M B347-M B347-M	BMS-14,15,16,17,18,19 BMS-14,15,16,17,18,19 BMS-14,15,16,17,18,19
B363-3-FS B355-3-FS B363-3-FS	B363-5-FS B355-5-FS B363-5-FS	B363-7-FS B355-7-FS B363-7-FS	B363-9-FS B355-9-FS B363-9-FS	B363-11-FS B355-11-FS B363-11-FS	1 1 1	B347-M B394-M B394-M	BMS-14,15,16,17,18,19 BMS-17,18,19,20,21 BMS-17,18,19,20,21
B370-3-FS B378-3-FS	B370-5-FS B378-5-FS	B370-7-FS B378-7-FS	B370-9-FS B378-9-FS	B370-11-FS B378-11-FS	1 1	B394-M B394-M	BMS-17,18,19,20,21 BMS-17,18,19,20,21
B386-3-FS B394-3-FS	B386-5-FS B394-5-FS	B386-7-FS B394-7-FS	B386-9-FS B394-9-FS	B386-11-FS B394-11-FS	1 1	B394-M B394-M	BMS-17,18,19,20,21 BMS-17,18,19,20,21