

ELECTRIC TORQUE WRENCHES

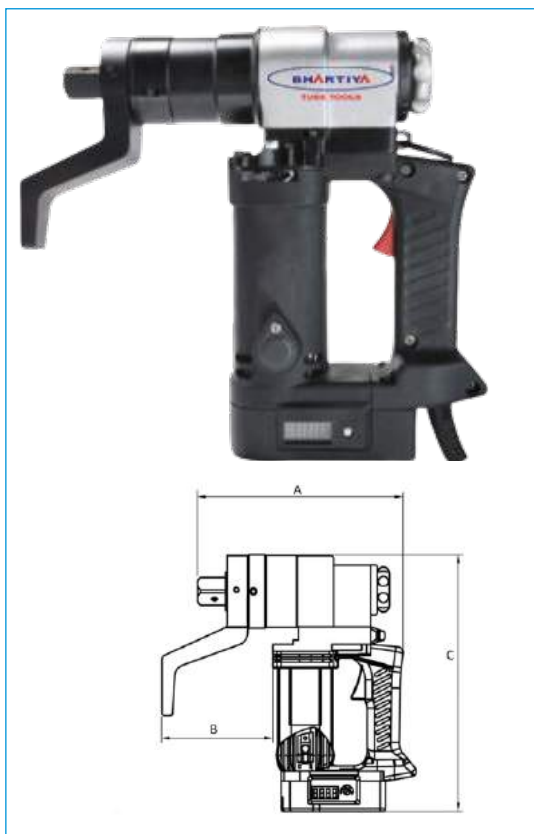


TUBE TOOLS

EWS SERIES

EWS Electric torque wrench is designed to install heavy hex structural bolts, non-impact, electricity. It has square drive end so that same machine can be used for different hexagon nut by using suitable socket. It shuts off when the torque requirements is reached. The tools offers a non-reactive torque controlled option for hex bolt installation. This series of wrenches adopts German motors. Strong power, Durable and Stable performance are its famous features.

These tools are used for a variety of different tasks across many industries – including home repairs and maintenance, automotive and construction. It's important to always use this tool in applications where screws and bolts must be secure and tight. These tools allow the user to measure the amount of pressure being applied to fasteners, to ensure it matches the recommended specifications for the job.



FEATURES:

- Easy switch directions Applying reaction arm to closet object, Tighten up to target torque.
- Perfect solution for your work at narrow space.
- Ultra compact socket with an integrated reaction arm.
- Easily set your target torque with dial on the Controller.
- Versatile performance of our electric torque wrench for bridge construction, steel fabrication and any kind of heavy industry.
- Available with both direction forward and reverse.
- Shortest profile and compact socket make accessible to bolts at any narrow space.

EWS SERIES

APPLICATION:

Model No.	Torque (Nm)	Square Drive	Weight (Kg)	Speed (Rpm)
EWS-3	100-300	3/4"	4	28
EWS-5	200-500	3/4"	4.2	20
EWS-7	300-700	1"	4.6	18
EWS-9	400-900	1"	5.1	16
EWS-12	500-1200	1"	6.3	14
EWS-17	800-1700	1.1/2"	7	4.5
EWS-21	1000-2100	1.1/2"	7.2	5.5
EWS-25	1100-2500	1.1/2"	9	5
EWS-35	1700-3500	1.1/2"	15	4.5
EWS-40	2000-4000	1.1/2"	17	3
EWS-60	3000-6000	1.1/2"	18	2.5
EWS-100	5000-10000	2.1/2"	21	2.5

Electric torque wrench is designed to install heavy hex structural bolts, non-impact electricity. It has square drive shaft so that same machine can be used for different hexagon nut by using different socket. It shuts off when the torque requirements is reached. The tool offers a non-slip grip and a controlled action for hex bolt installation. This series of wrenches offers superior performance, power, durable and stable performance and long life.

These tools are used for tightening and loosening of bolts and nuts, including bolts repairs and maintenance of all kinds of machinery and equipment. This tool is applied wherever a screws and bolts must be **secure and tight**. This tool allows the user to precisely **measure** amount of pressure being applied to the bolts, to ensure it matches the recommended specifications for the job.

