

# ELECTRIC TORQUE WRENCHES



## EWS SERIES

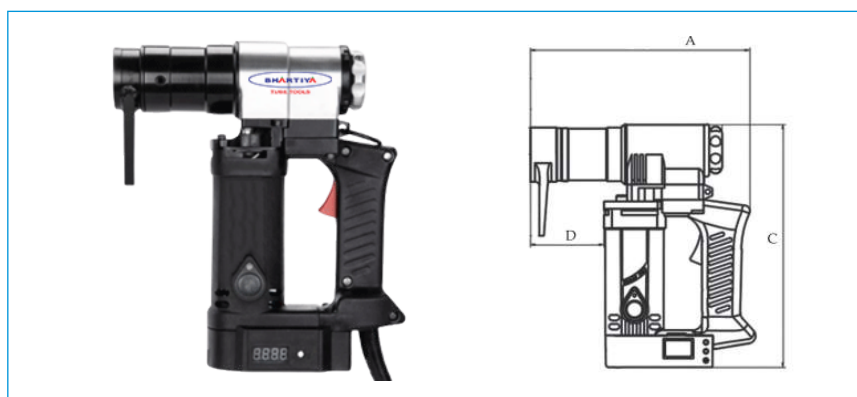
### APPLICATION:

Model	Power (W)	Max Torque (Nm)	Max Torque (kg-cm)	Max Torque (ft-lb)	Max Torque (in-lb)	Max Torque (in-oz)
EWS-1	1000	10	100	7.4	85	1020
EWS-2	2000	20	200	14.7	170	2040
EWS-3	3000	30	300	22.1	255	3060
EWS-4	4000	40	400	29.4	338	4080
EWS-5	5000	50	500	36.8	421	5100
EWS-6	6000	60	600	44.1	504	6120
EWS-7	7000	70	700	51.5	587	7140
EWS-8	8000	80	800	58.8	670	8160
EWS-9	9000	90	900	66.2	753	9180
EWS-10	10000	100	1000	73.5	836	10200
EWS-15	15000	150	1500	110.3	1253	15300
EWS-20	20000	200	2000	147.2	1670	20400
EWS-30	30000	300	3000	220.8	2503	30600
EWS-40	40000	400	4000	294.3	3336	40800
EWS-50	50000	500	5000	367.8	4169	51000
EWS-60	60000	600	6000	441.3	5002	61200
EWS-70	70000	700	7000	514.8	5835	71400
EWS-80	80000	800	8000	588.3	6668	81600
EWS-90	90000	900	9000	661.8	7501	91800
EWS-100	100000	1000	10000	735.3	8334	102000

## EWH SERIES

Electric torque wrench is designed to install heavy hex structural bolts, non-impact, electricity. It has square drive end so that same machine can be used for different hexagon nut by using suitable socket. It shuts off when the torque requirements is reached. The tools offers a non-reactive torque controlled option for hex bolt installation. This series of wrenches adopts German motors. Strong power, Durable and Stable performance are its famous features.

These tools are used for a variety of different tasks across many industries – including home repairs and maintenance, automotive and construction. It's important to always use this tool in applications where screws and bolts must be secure and tight. These tools allow the user to measure the amount of pressure being applied to fasteners, to ensure it matches the recommended specifications for the job.



# ELECTRIC TORQUE WRENCHES

## EWH SERIES



### FEATURES:

- Available with both direction forward and reverse.
- Shortest profile and compact socket make accessible to bolts at any narrow space.
- Easy switch directions Applying reaction arm to closet object, Tighten up to target torque.
- Perfect solution for your work at narrow space.
- Easily set your target torque with dial on the Controller.
- Versatile performance of our electric torque wrench for bridge construction, steel fabrication and any kind of heavy industry.
- Ultra compact socket with an integrated reaction arm.

### APPLICATION:

Model No.	Torque (Nm)	Speed (Rpm)	Weight (Kg)	Direct Hex Available	Diameter D	Overwall Length A (mm)	Overwall Width C (mm)
EWH-3	100-300	28	4	M10,M12,M16	80	240	267
EWH-5	200-500	20	4.2	M12,M16,M20	111	271	267
EWH-7	300-700	18	4.6	M16,M20,M22	54	221	269
EWH-9	400-900	16	5.1	M20,M22,M24	71	238	275
EWH-12	500-1200	14	6.3	M22,M24,M27	50	225	287
EWH-17	800-1700	12	7	M24,M27,M30	81	286	287
EWH-21	1000-2100	10	7.2	M27,M30,M33	95	274	286
EWH-25	1100-2500	5	9	M30,M33,M36	107	283	293
EWS-35	1700-3500	4.5	15	M33,M36,M42	107	283	293